



FlexSpace Solution

WWW.FLEXSPACEOFFICE.COM

We revolutionize the open office by providing flexible,
dynamic workspaces

Product

Partition Pod Cube

SPACE SOLUTION

FLEXSPACE

We revolutionize the open office by providing flexible, dynamic workspaces to increase productivity.



ABOUT FlexSpace

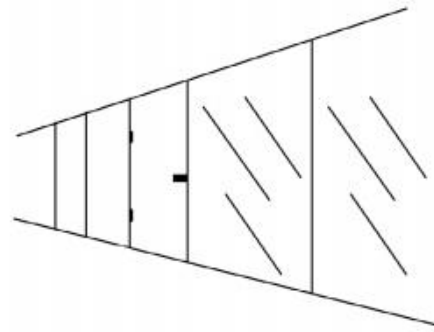
FlexSpace revolutionizes the open office with state-of-the-art spaces designed to enhance productivity, creativity, and collaboration. FlexSpace offers a turnkey and flexible solution, which upgrades rooms to suit a variety of needs. We are a team of experts who strive to produce the highest-quality and most affordable products on the market.

On-Demand Smart & Flexible Workspaces.



CONTENTS

Partition



Metallo

Brief introduction	P.8-9
Double glass panel	P.10-11
Double solid panel	P.12-13
Technical data	P.14
Color options	P.15
Construction detail	P.16-17

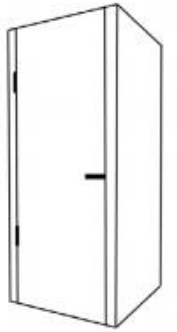
Pano

Brief introduction	P.18-19
Single glass	P.20-21
Double glass	P.20-21
Technical data	P.22
Color options	P.23
Construction detail	P.24-25

Door

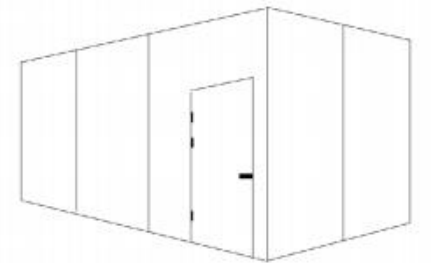
Brief introduction	P.26-27
Glass door	P.28-29
Solid door	P.28-29
Technical data	P.30
Color options	P.31
Construction detail	P.32-33

Pod



Brief introduction	P.34-35
Features	P.36-37
S pod	P.38
M pod	P.39
Technical data	P.40-43
Color options	P.44-45

Cube



Brief introduction	P.46-49
Features	P.50-51

MODULAR

ARTISTIC

FLEXIBLE

ECO-FRIENDLY



Metallo

MODULAR PARTITION

Modular partitions are a custom-fit system that include a wide range choice of glass and mesh panels and components to best suit your space needs. Partition frames are made of steel and come in a variety of heights, widths, colors and finishes to best compliment your office design. Partitions are typically installed to be fully demountable meaning that once installed they can be adjusted to meet changing workspace needs. They can be installed in a multi-tier configuration to maximize usable height and customized to fit preexisting structural components of a space.



/ 1



1. DOUBLE GLASS

Glass wall systems open up the workspace by bringing in more light and optimizing the layout with hybrid private and public workspaces.

2. DOUBLE GLASS WITH BLINDS

Glass can be custom-equipped with built-in horizontal metal blinds, with manual or electric dimming, which give users privacy on-demand.

3. DOUBLE BACK PAINTED GLASS

Add depth to your space with painted backdrops which can double as dry-erase marker boards for team brainstorm sessions and collaboration.

/ 2



/ 3



Modular partitions are the most economical and flexible of the partition systems as they require little to no setup time and can be adjusted with ease. They create multiple versatile spaces within a larger open space.



/ 4

4. DOUBLE STEEL PANEL

Double steel panels offer the best in soundproofing, fire resistance and durability, especially when supported with plasterboard. Moreover, steel panels are fully-customizable as they can be covered with a wide array of fabrics and leathers.

TECHNICAL SPECIFICATIONS

Steel partitions are most commonly used to divide workspaces, add an office space to a warehouse, or install secure storage or workshop spaces. Steel partitions often compliment new building renovations while offering an affordable, flexible, and hassle-free space solution when compared to construction.

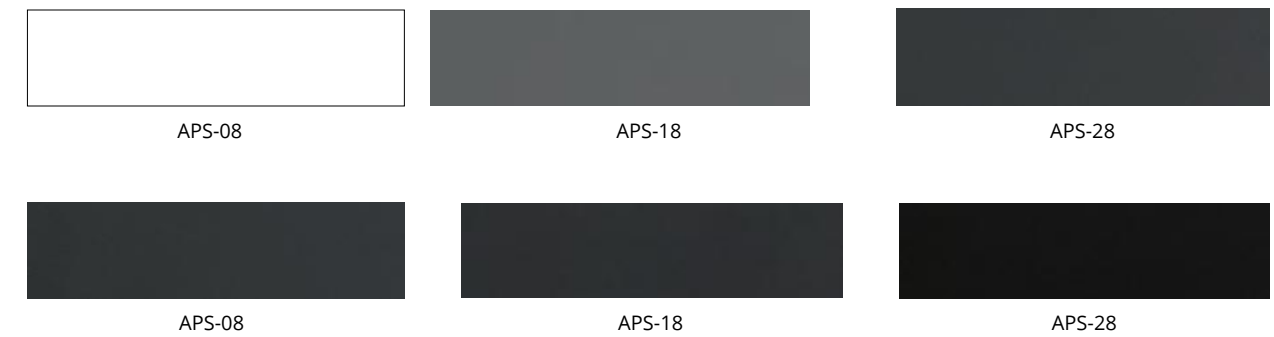
<p>Profile</p> <p>Upright Pillar: Steel Section Ceiling and Floor U-channels:1mm Galvanized steel Section</p>	<p>Solid panel</p> <p>1.0mm galvanized steel panel with plasterboard backing or honeycomb 15mm melamine finished particleboard panels 15mm Veneer finished particleboard panels Fabric covered steel or particleboard panels 50kgs/80kgs/m3 rock wool between two panelling</p>	<p>Glass panel</p> <p>Double glazed panels in 6 or 8 mm thickness in monoblock or bi-block aluminium sections, with beading or flush glass Glass options: tempered glass, laminated glass, fireproof glass</p>
<p>Standard dimension</p> <p>Wall Thickness: 100mm Height: 3500mm Width: Solid panel 900/1000/1100mm,glass 900/1000/1100mm/1200mm Other sizes in height or width after consultation Weight: 35/48Kgs/m2</p>	<p>Finishes</p> <p>Surface Treatments: Metal panel in powder coating approx 60µm thickness/PVC Treatment 0.08mm Colors: As per FlexSpace's color chat. Other colours possible after consultation Glazing: Various of options is available, such as sandblasting, film, painted glass, smart glass.</p>	
<p>Installation</p> <p>TOLERANCES: Floor:+/- 15mm Ceiling:+/- 15mm Adjustable floor track for easy adjusting for tolerance</p>	<p>Acoustic</p> <p>Standard ISO717 Solid panel: metal panel : Rw=50dB Solid Panel: Chipboard Panel: Rw=46dB Glass Panel: from 41dB to 48db</p>	<p>Fire</p> <p>Fire Resistance to ASTM E84 Solid: EI120 Glazed: EI60</p>

Products specifications are subject to change. Please consult latest catalogue for up-to-date details.

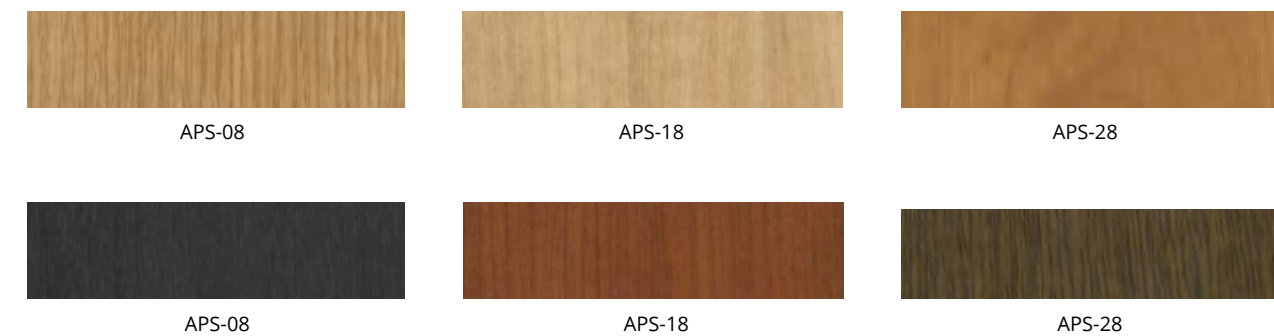
COLOR OPTIONS

Choose from a wide range of colors to match company colors, add depth to the space or discreetly blend in with existing infrastructure.

Pure color



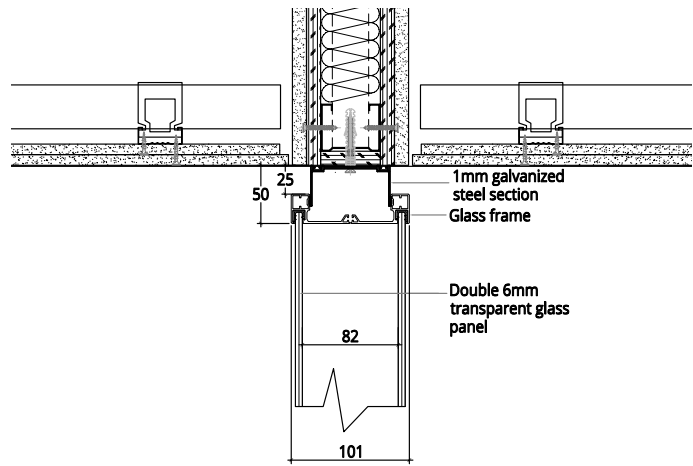
PVC surface



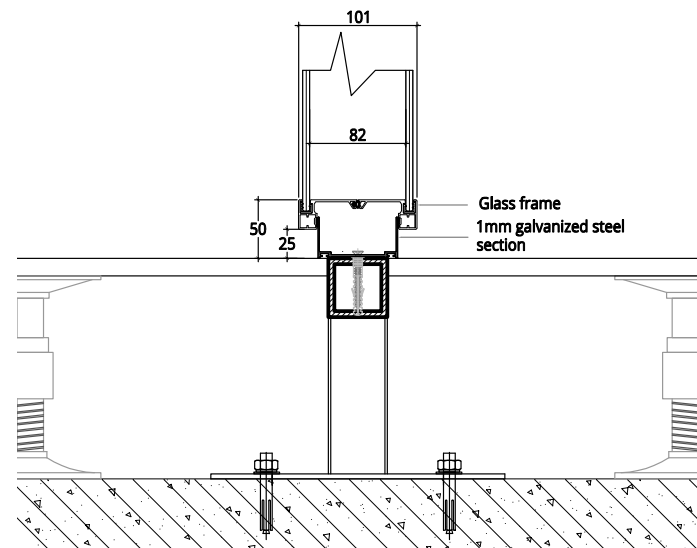
Colors above are for reference only. Printed colors may differ, please consult the actual products.

CONSTRUCTION DETAILS

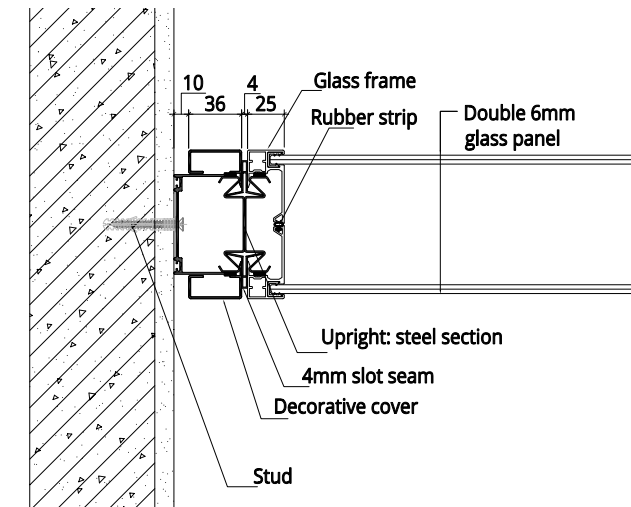
CEILING ATTACHMENTS



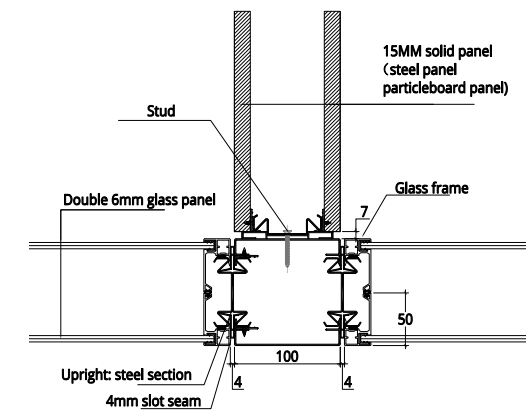
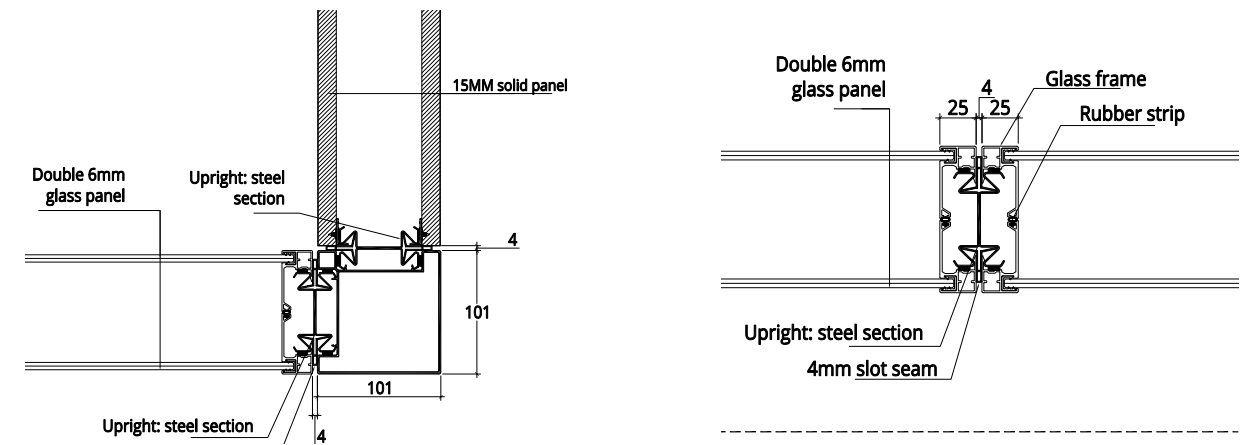
FLOOR ATTACHMENTS



WALL ATTACHMENTS



JOINT ATTACHMENTS





Frameless glass partitions divide the open office while bringing light and modernity to the space. They are designed with minimal components to ensure ease of use, speedy installation and structural integrity.

Available with single or double pane glass, frameless glass partitions offer the best in hybrid public and private spaces in the workspace. They create a open atmosphere with an abundance of natural light while providing privacy and noise reduction to encourage concentration.

PANO

SOLUTION

SPACE

2021 EDITION



INTERIORS X PARTITION



/ 1

1. PANO-SINGLE GLAZED

Frameless single glass partitions are sleek and modern glass walls which create private spaces while maintaining an open office feel.



/ 2

2. PANO-DOUBLE GLAZED

Double glass partitions provide the same benefits as single glass systems in regards to light transference, optimizing visual space and collaboration, while offering additional privacy through shielded zones.

TECHNICAL SPECIFICATIONS

Achieve a truly light-filled look with seamless glass and minimal visible components (3M transparent strip or slime aluminium glazing joints).

Profile

Aluminium profile: 6063-T5 aluminium alloy, thickness 1.0-3.0mm
Ceiling and Floor U-channels: 1mm Galvanized steel Section

Solid panel

1.0mm galvanized steel panel with plasterboard backing or honeycomb
15mm melamine finished particleboard panels
15mm Veneer finished particleboard panels
Fabric covered steel or particleboard panels
50kgs/80kgs/m3 rock wool between two panelling

Glass panel

Double glazed: 12mm+10mm glass
Single glazed: 12mm glass
Glass options: tempered glass, laminated glass, fireproof glass

Standard dimension

Wall Thickness:
Single glazed 45mm, Double glazed 100mm
Max Height: 3000mm
Max Width:
Solid panel: 931mm; Glass panel: 1100mm
Other sizes in height or width after consultation

Finishes

Surface Treatments: Metal panel in powder coating approx 60µm thickness/PVC Treatment 0.08mm
Colors: As per FlexSpace's color chat. Other colours possible after consultation
Glazing: Various of options is available, such as sandblasting, film, painted glass, smart glass.

Installation

TOLERANCES:
Floor: +/- 15mm
Ceiling: +/- 15mm
Adjustable floor track for easy adjusting for tolerance

Acoustic

Standard ISO717
Double glazed: up to 48dB
Single glazed: up to 30dB

Fire

Fire resistance is available with fireproof glass

Products specifications are subject to change. Please consult latest catalogue for up-to-date details.

COLOR OPTIONS

Choose from a range of colors to match interior design, add depth to the space or discreetly blend in with existing infrastructure.

Pure color



APS-08



APS-18



APS-28



APS-08



APS-18

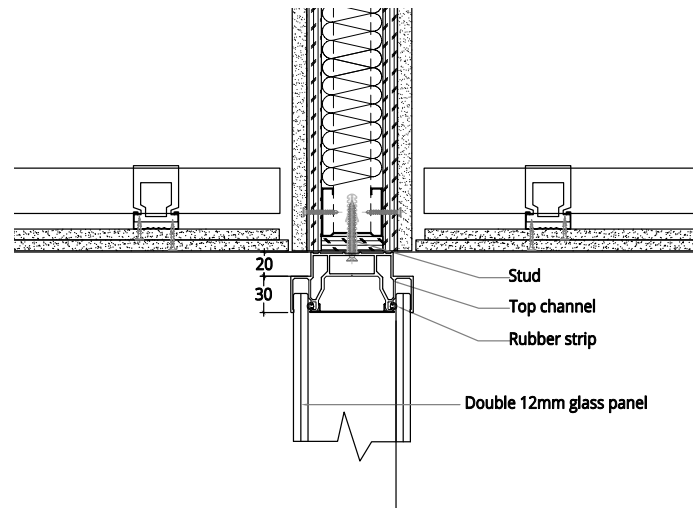


APS-28

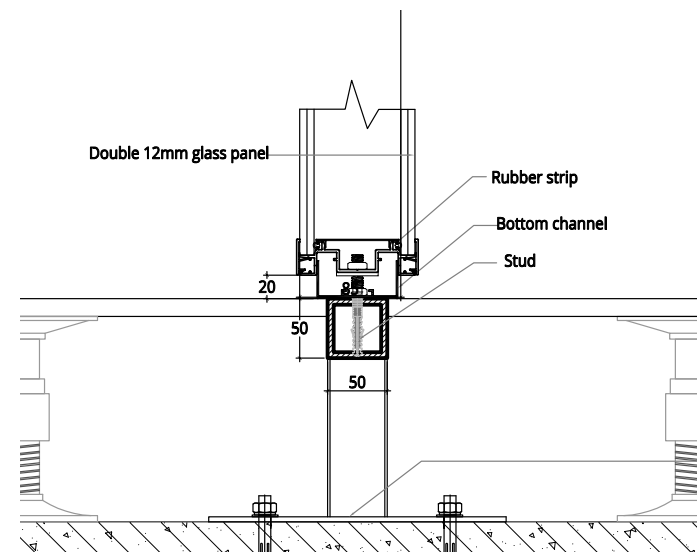
Colors above are for reference only. Printed colors may differ, please consult the actual products.

CONSTRUCTION DETAILS

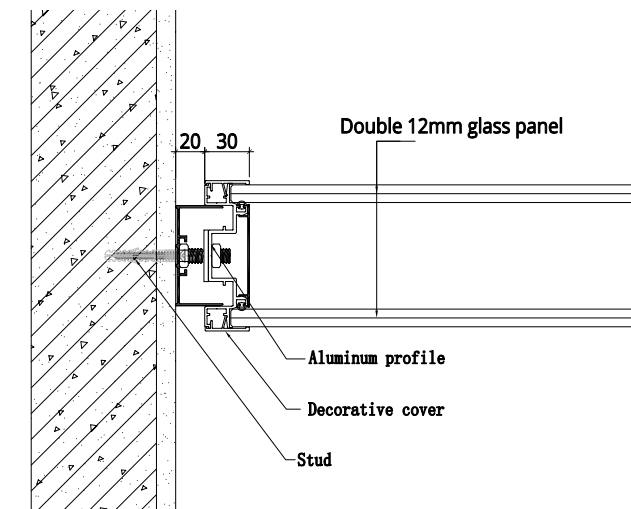
CEILING ATTACHMENTS



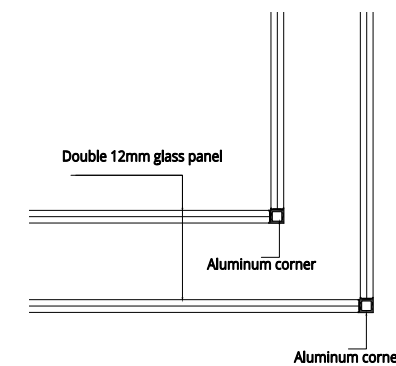
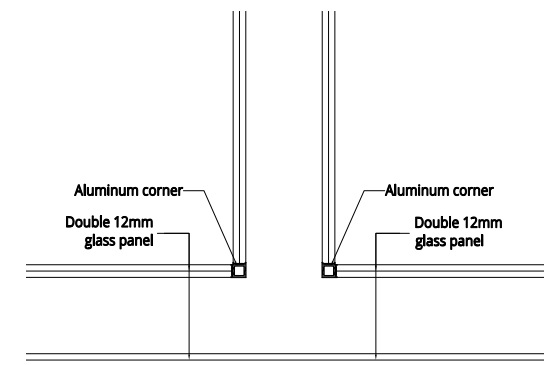
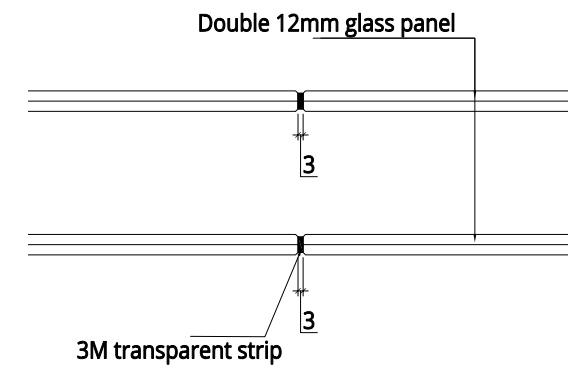
FLOOR ATTACHMENTS



WALL ATTACHMENTS



CONNECTION ATTACHMENTS



DOOR



FlexSpace's partition walls can be designed with a wide variety of door options: sliding, hinged or pivoting. Doors are available in glass, wood or steel, framed or frameless and with full customization, such as locking or non-locking, and with or without door closing or door control hardware.

FlexSpace's door hardware is easily adapted to complement card reader systems, such as magnetic lock, electric strike, and so on.

1. SWING GLASS DOOR

Swing doors can be opened inwards and outwards with full swivel. Internal swing glass doors, popular in industrial interiors, are now finding unprecedented popularity in office interiors.

2. SLIDING GLASS DOOR

Engineered for smooth and easy operation, our sliding glass doors combine timeless design with tried-and-true performance.

3. SOLID DOOR

Solid doors are available in metal and laminated, providing an affordable alternative to internal wood doors, with the added style benefits. The doors are practical, high-quality, and come in a variety of colours, styles, and designs.

/ 1



/ 2



/ 3



TECHNICAL SPECIFICATIONS

FRAMELESS GLASS DOOR

Door thickness: 55mm
 Material: aluminium frame, tempered glass
 Standard hardware: lock, handles, hinges
 Optional hardware: other design handles or required brand



SLIDING GLASS DOOR

Glass thickness: 12mm
 Material: tempered glass/laminated glass
 Standard hardware: lock, big handle, track and wheels
 Optional hardware: other design handles or required brand



STEEL DOOR

Door thickness: 58mm
 Material: steel, aluminium honeycomb, aluminium structure
 Standard hardware: handles, lock, hinges
 Optional hardware: other design handles or required brand



COLOR OPTIONS

Choose from a wide range of colors to match company colors, add depth to the space or discreetly blend in with existing infrastructure.

Pure color



APS-08



APS-18



APS-28



APS-08



APS-18



APS-28

PVC surface



APS-08



APS-18



APS-28



APS-08



APS-18



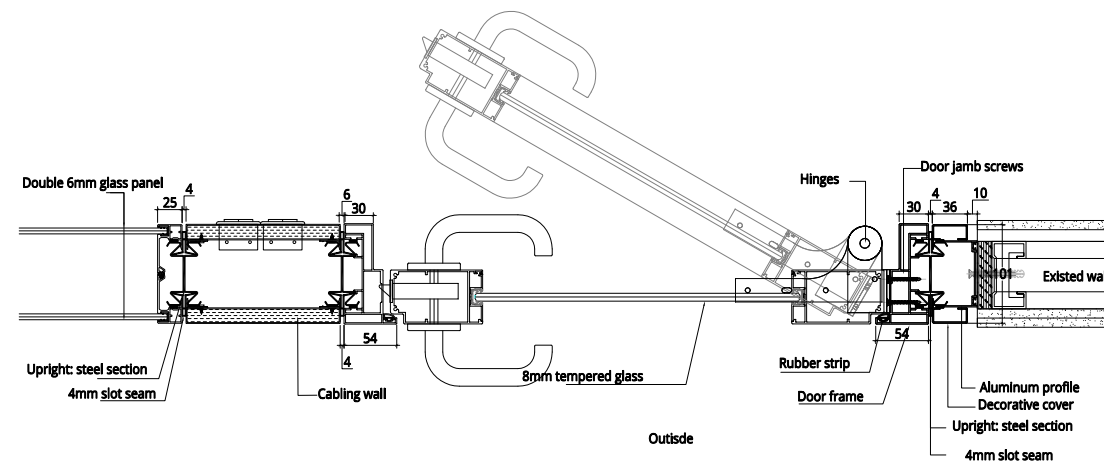
APS-28

Products specifications are subject to change. Please consult latest catalogue for up-to-date details.

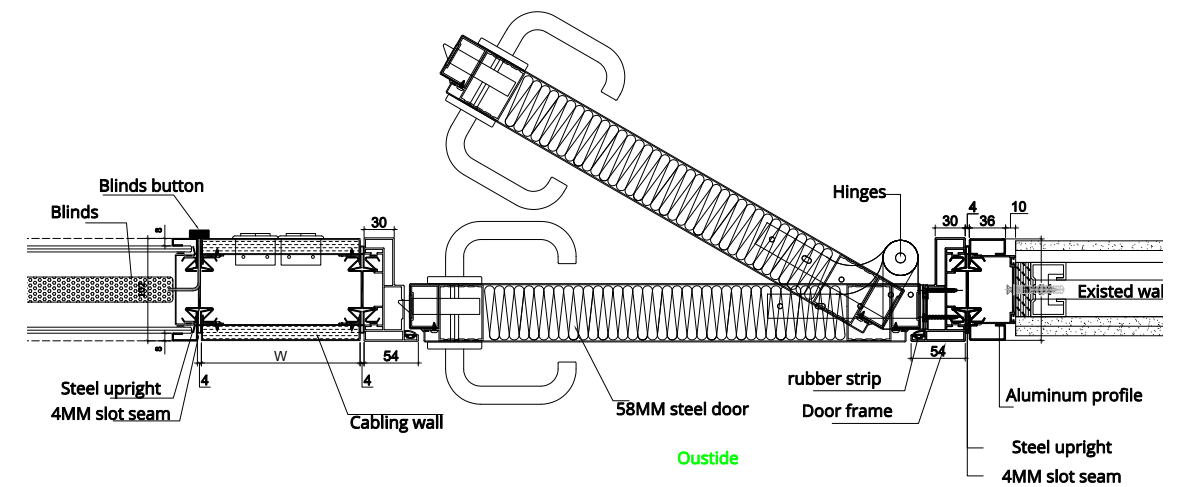
Colors above are for reference only. Printed colors may differ, please consult the actual products.

CONSTRUCTION DETAILS

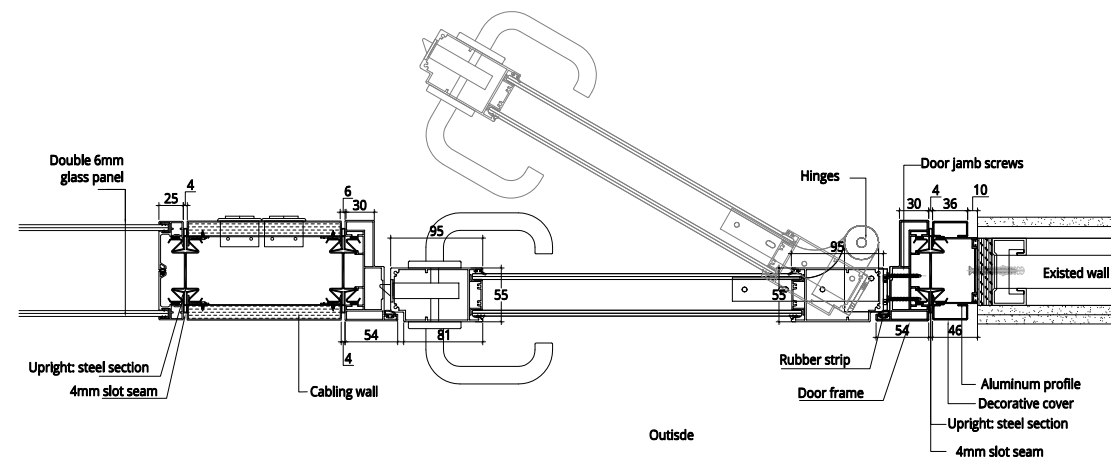
FRAMED SINGLE GLASS DOOR



STEEL DOOR



FRAMED DOUBLE GLASS DOOR





POD

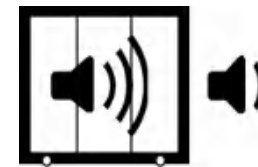
Pods provide an on-demand soundproof workplace, designed with individual work-sessions and collaborative meetings in mind. They include comfortable seating, a table, clothes hanger(s), two power sockets and many optional add-ons to create a perfect mini-office. They are fully moveable, meaning they can easily be moved from one side of the office to the other as needed. Smart LED lighting and ventilation fans ensure optimal comfort.



FEATURES

FlexSpace's pods are a product of countless hours of market research - specially designed with the end user's every need in mind. They bring together the very best in sound insulation, fast assembly, durable materials, and flexibility on the market.

COMBINING THE VERY BEST IN FORM & FUNCTION.



Sound Insulation

FlexSpace's pods reduce sound by up to 38% to maintain optimal concentration and privacy.



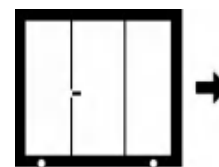
Fast Assembly

Structure is prefabricated to ensure quick assembly, easy storage and cost savings.



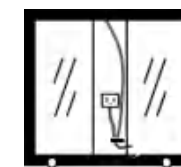
Durable

Primary materials include metal and safety glass to make pods durable and long-lasting.



Moveable

Thanks to casters and light-weight design, pods can be moved around with ease.



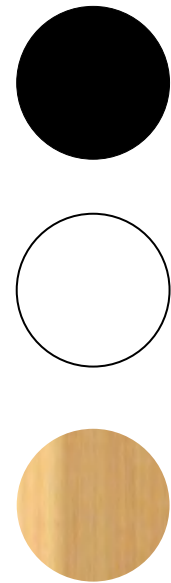
Easy Maintenance

Pods are design for optimal compatibility, adjustments and easy maintenance.



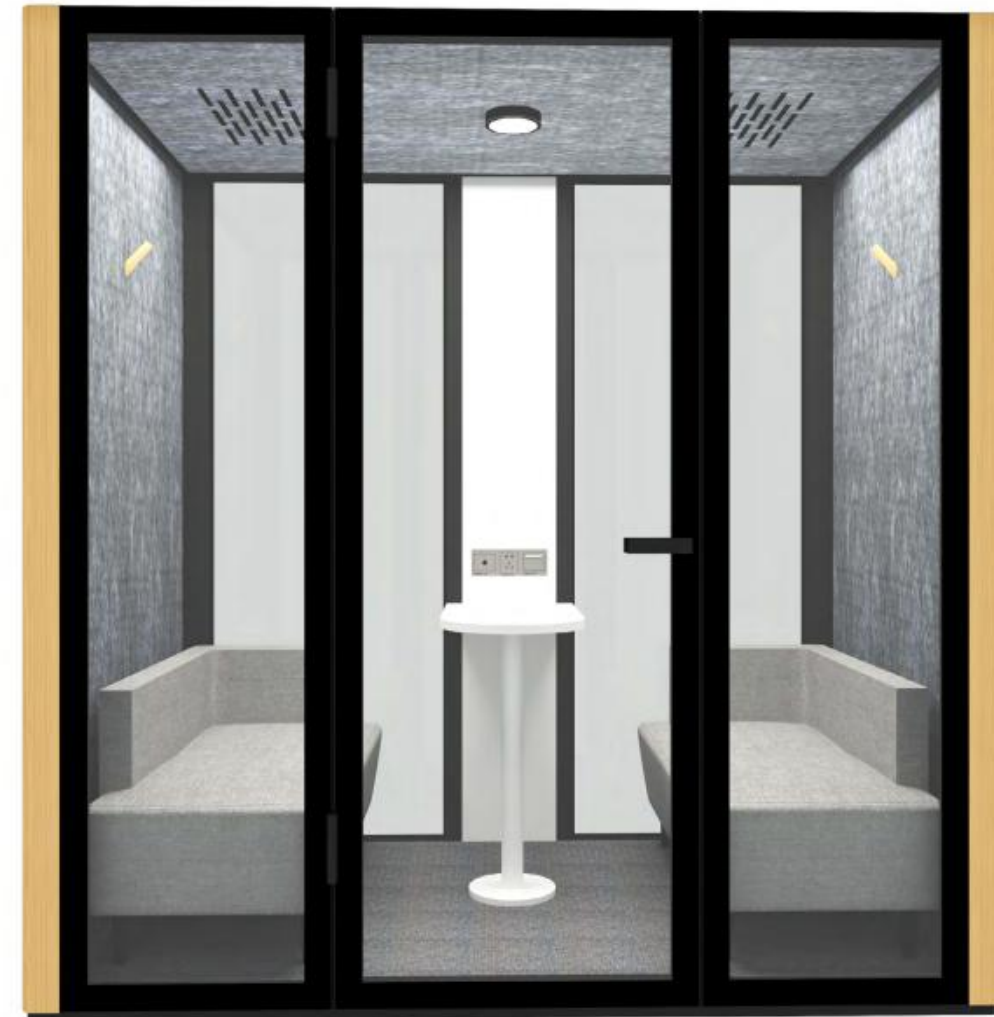
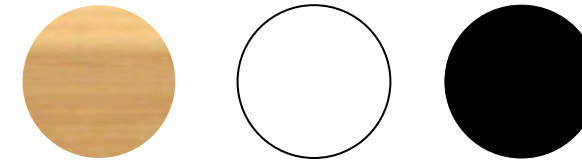
Customizable

Customize colors, design and features including white boards, displays and power options - to fit your every



/ S pod

S pod is a soundproof and acoustic workstation, designed with virtual meetings in mind. It comes with an adjustable stool, table, clothes hanger and two power sockets to offer a perfect mini-office. Smart LED lighting and air circulation ensure optimal comfort.



/ M pod

The M Pod is suitable for up to two people and is ideal for one-on-one meetings. It includes two sofas, a desk, and add-ons. Moreover, it is moveable, meaning it can easily be moved from one side of the office to the other as needed. Smart LED lighting and four ventilation fans ensure optimal comfort.



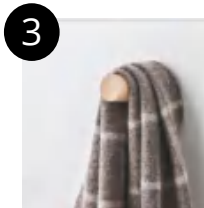
Exterior

Standard: Precoated or PVC surfaced steel panel wall with safety glasses on both sides .
Optional: Dry-erase steel panel.



Interior

Standard: grey acoustic panel with magnetic surface, which is ideal for sound insulation and maintenance.
Optional: alternative color options



Hook

Hook for hanging your belongings such as clothes or bags.



Ventilation fans

Smart ventilation fans offer custom air control for optimal comfort.

LED lights

Illumination in the pods follows the GSA's recommendation for office spaces. Constant air circulation keeps you feeling fresh and alert.



Charging station

All electrical components meet CE and UL standard. Standard sockets and USB outlets for charging devices. Optional: CN, UK, USA, Univeral and other countries standard.



Door

German-designed safety glass door with hidden frame and graphite-textured exterior. Door closes automatically as people enter and exit the pod.



Table

Desktop is designed at optimal height for long, comfortable work sessions.



Sofa

Ergonomic soft-cushion sofa for ultimate comfort.

Adjustable legs

Custom-leveling for spaces with uneven floors.

Casters

Pod can be easily moved and relocated.

DATA SHEET

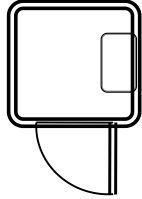
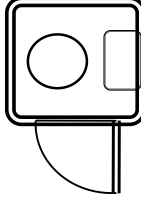
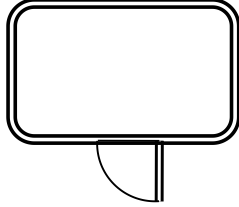
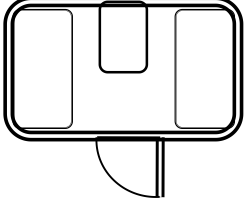
FlexSpace pods are available in two sizes and suit a variety of workspace needs ranging from private phone calls to team brainstorming sessions. Pods can be designed to include custom-fit furniture and/or be built with a specific space in mind.

FlexSpace pods are designed to be set up and relocated with minimal effort. Casters and modular cable system ensure ease of mobility.

FlexSpace's pod can be customized by:

- Size
- Color
- Door hardware
- Dry-erase board
- Glaze on one side
- Logo Vynils
- Furniture

Feel free to consult us for more customization options.

	 		 	
Suitable for	1 person		2~4 person	
Dimension				
Width*Depth*Height	1000*1000*2200mm		2200*1200*2200mm	
Furniture				
Desk	desktop 230*460mm		-	Desk 400*600mm
Seat	-	Stool*1	-	Sofa*2
Facilities				
Cloth hook	◎*1		◎*2	
Light and fan control	Inductive		Manual	
Lighting	LED Light (8W /4000K)		LED Light (10W /4000K)	
Ventilation Fans	◎*2		◎*4	
Charge station	Socket*1, USB*2		Socket*2, USB*2	
Package				
Quantity	1	1	2	4
Size (L*W*H)	2370*1100*700mm	2370*1100*700mm	2370*1100*700mm 2370*1100*620mm	2370*1100*700mm 2370*1100*620mm 1070*620*680mm*2
Net weight	240KG	250KG	370KG	410KG
Gross weight	290KG	300KG	440KG	480KG
Qty in 20' container	up to 15 sets		up to 8 sets	
Assembly				
Person required	2		4	
Assembly time	0.5hr		1hr	
Relocation time	0.2hr		0.3hr	



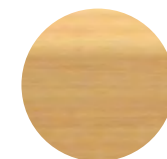
COLOR WATCH

COLOR OPTIONS

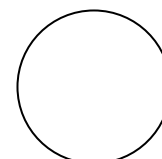
Choose from a wide range of colors to match company colors, add depth to the space or discreetly blend in with existing infrastructure.

Exterior (steel) color

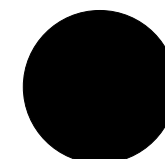
In-stock options



Nature Wooden



Pure white



Classic black

Made-to-order



APS-08
ILLUMINATING



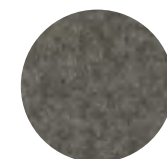
APS-18
MARBLE BLACK



APS-28
MARBLE BLACK

Interior (acoustic panel) color

In-stock options



Moonlight grey

Made-to-order



APF-06



APF-16



APF-26

Colors above are for reference only. Printed colors may differ, please consult the actual products. Beyond stocked color options, an MOQ is required - please consult us for more details.

Cube

While employees enjoy an open-office look and feel, studies show that workers prefer concentrating in more private spaces. The Cube combines the best of both worlds - offering a bright and open office with private spaces for collaboration and individual work sessions. The Cube is designed for optimal comfort, efficiency and design.





Latest Workplace Trends

Studies show that workers want to return to the workplace while retaining the flexibility, privacy and benefits of working from home.

This has important implications for workspace design as it has a critical impact on the performance, comfort, and satisfaction of workers.

In our 2019 report, we identified six “degrees of openness” that bring nuance to the debate on the open-office — and showed that open environments that offer on-demand private space, tend to perform best.

--- Gensler's U.S. Workplace Survey 2020

“
On-demand private spaces are essential.”

FEATURES

SUIT YOUR WISHES

FlexSpace cube is a room-within-a-room system which can easily be integrated into open offices as a place to retreat, concentrate, and collaborate with ease. They are fully customizable and flexible to meet your every office need.

Solid panels

Prefabricated solid panels are in standard modular, which enable flexible combination. Cables and display are free to preset on the wall.

Lighting

The agreeable lighting can be dimmed by manual or sensor.

Ventilation

Switchable fan speed brings fresh air and make small space comfortable.

Ceiling

The ceiling panels in the interior ensure sound acoustics with minimal echoing.



Whiteboard

Cube can be equipped with handy whiteboards on both the inside and outside for note-taking.

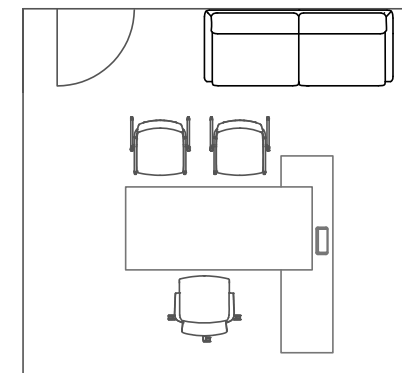
Glass Panels

With up to three glass walls, cube becomes a light-flooded room which appears bigger to users.

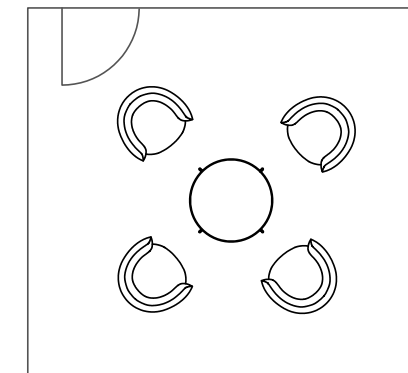
Door

The glass door opens inwards and, depending on the glass selected, features a bottom seal.

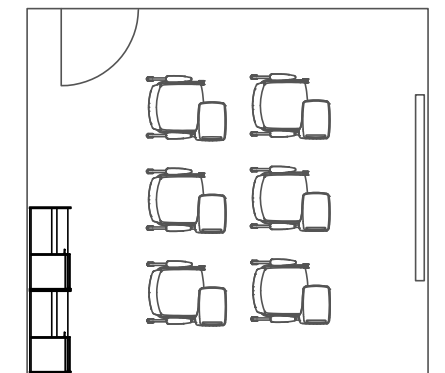
Manager office



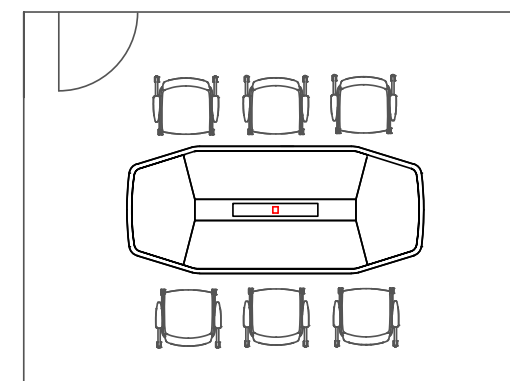
Reception



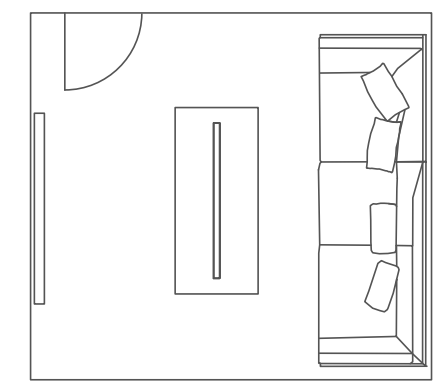
Training



Meeting



Lounge



POD

CUBE

PARTITION

INTERIORS



EMAIL

INFO@FLEXSPACEOFFICE.COM

WWW.FLEXSPACEOFFICE.COM